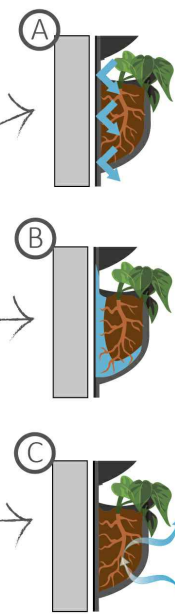




Fytotextile® Multilayer modules

It improves the health of the plant due to its high transpiration capacity in the buried layer and establishes an **optimal balance** between water, air and substrate in the buried part of the plant

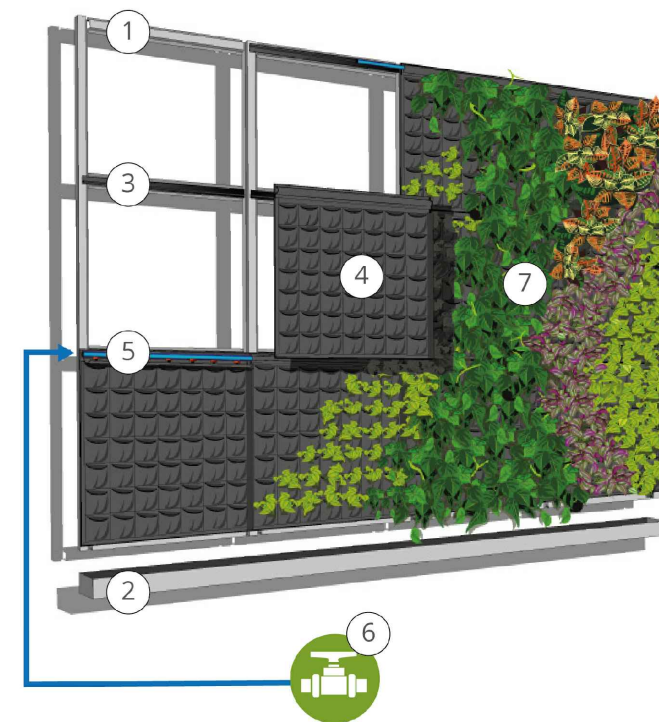


Waterproof Layer
The waterproof membrane prevents water from penetrating substructures and also protects them.

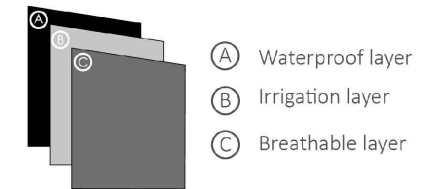
Irrigation Layer
The inner layer allows optimal water distribution for the plants and retains beneficial moisture, 2-3 litres/m

Breathable layer
Exterior Layer have a very good air flow at low speed wind: so the aeration of the roots is optimal.

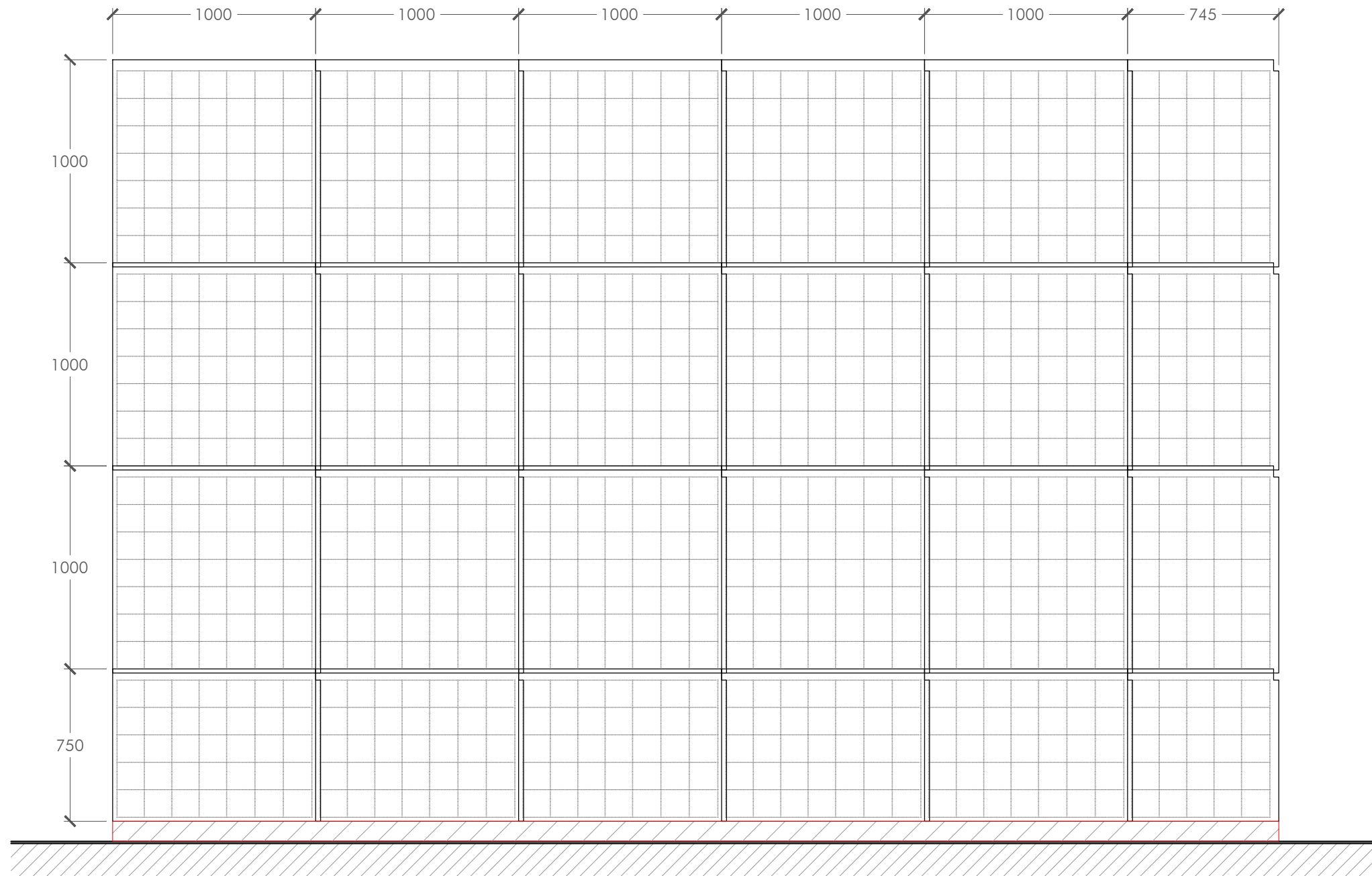
Fytotextile® Multilayer System



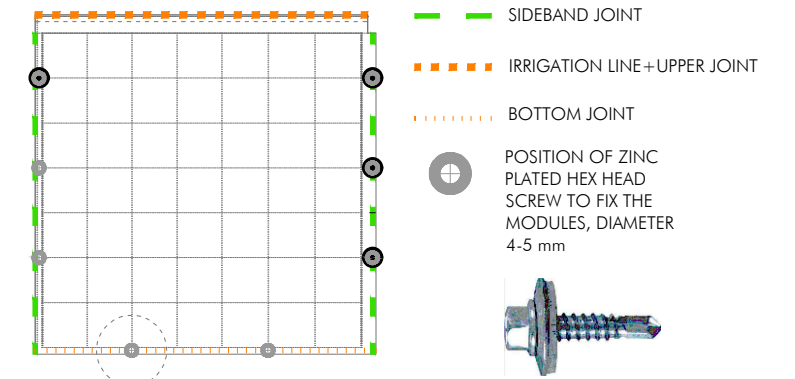
- ① Auxiliary substructure
- ② Water harvesting gutter
- ③ Carril profile FYTVOL
- ④ Multilayer modules Fytotextile®
- ⑤ Irrigation system
- ⑥ Auxiliary engineering
- ⑦ Plants



TYPICAL MODULE OVERLAY - FRONT VIEW

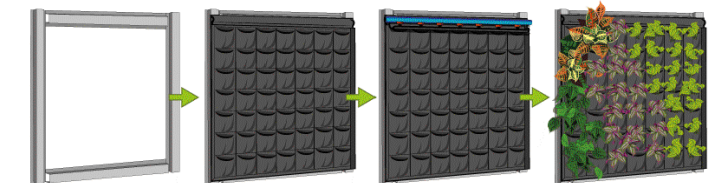


PERIMETER SCREW FOR FYTOTEXTILE MODULES

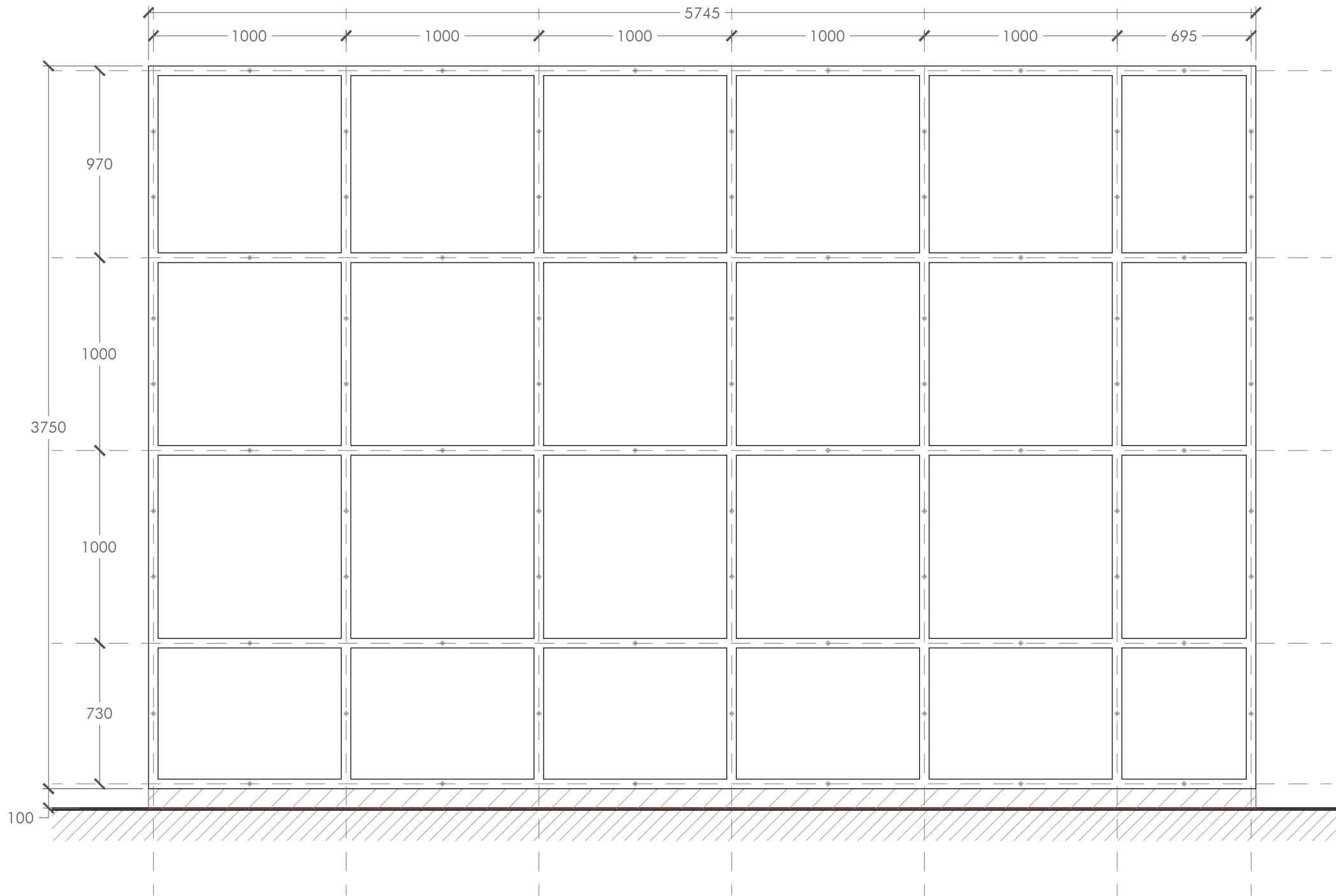


VERY IMPORTANT
SCREW ONLY ON THE BOTTOM OF THE
LIVING WALL, NOT ON THE INTERMEDIATE
POSITION

INSTALLATION IN 4 STEPS



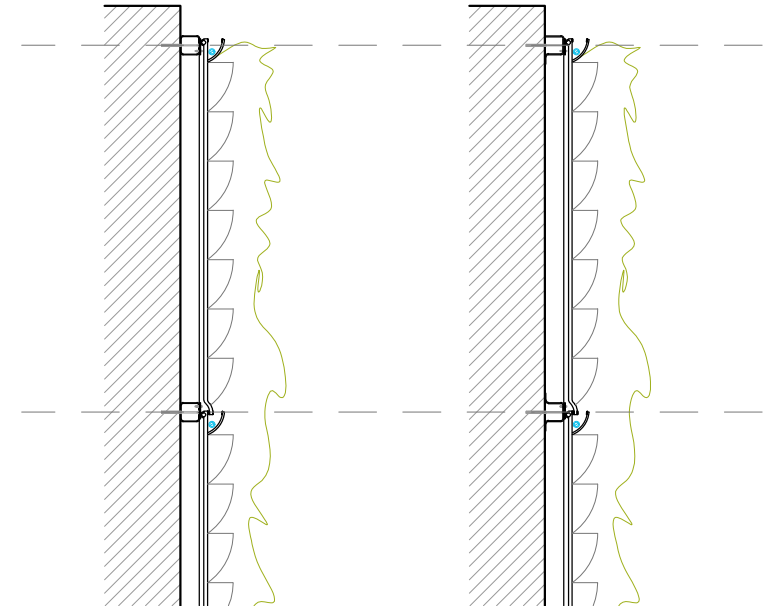
TYPICAL AUXILIARY STRUCTURE - FRONT VIEW



AUXILIARY STRUCTURE TYPES E1-20

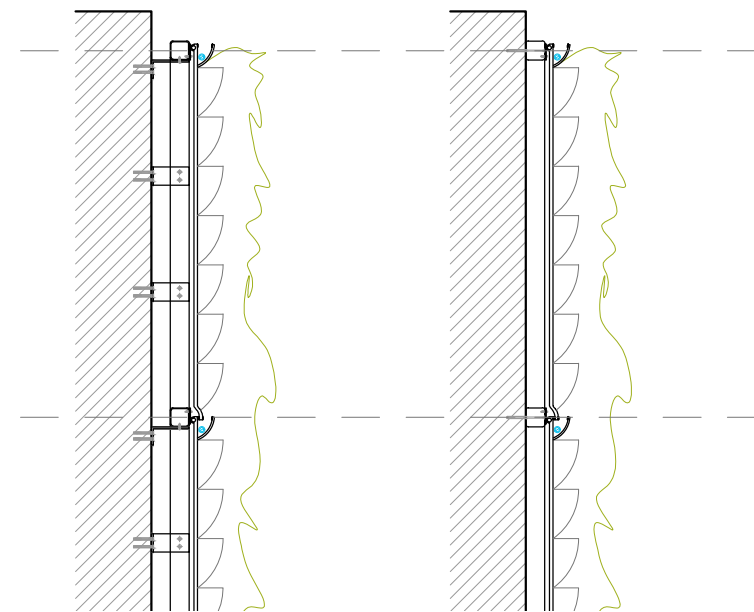
STEEL STRUCTURE
SQUARE SECTION PROFILES

STEEL STRUCTURE
OMEGA SECTION PROFILES



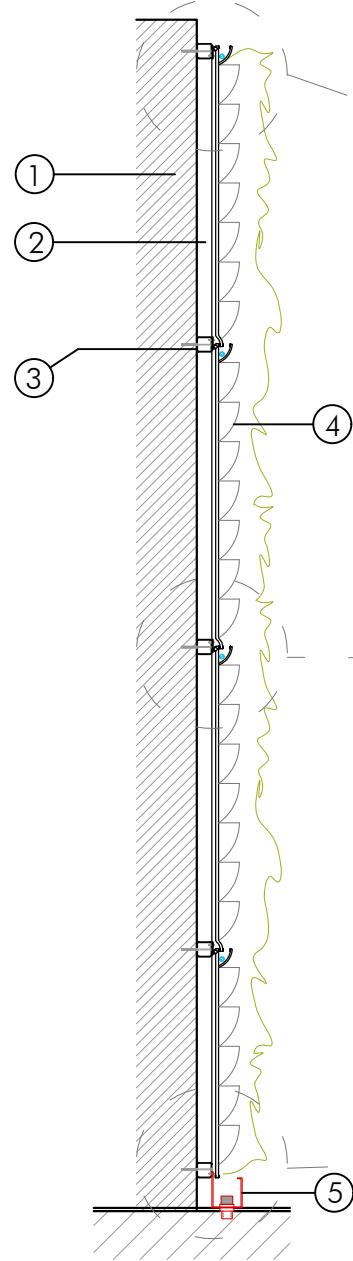
STEEL STRUCTURE
SQUARE SECTION PROFILES
WITH HELPING BRACKETS

TIMBER STRUCTURE
SQUARE SECTION PROFILES

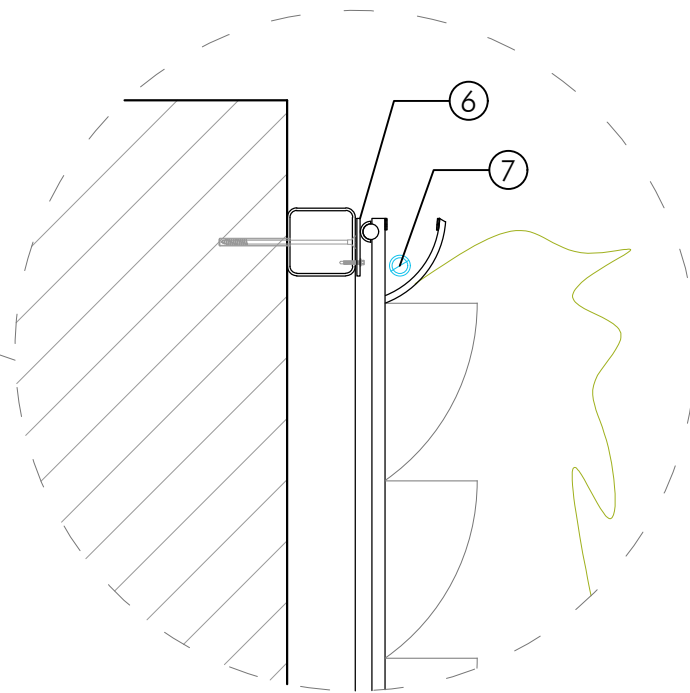


NAME		TYPICAL LIVING WALL - AUXILIARY STRUCTURE	
NUMBER	02.01	VERSION	V1
		01-01-2023	
		S-A3 1:25	

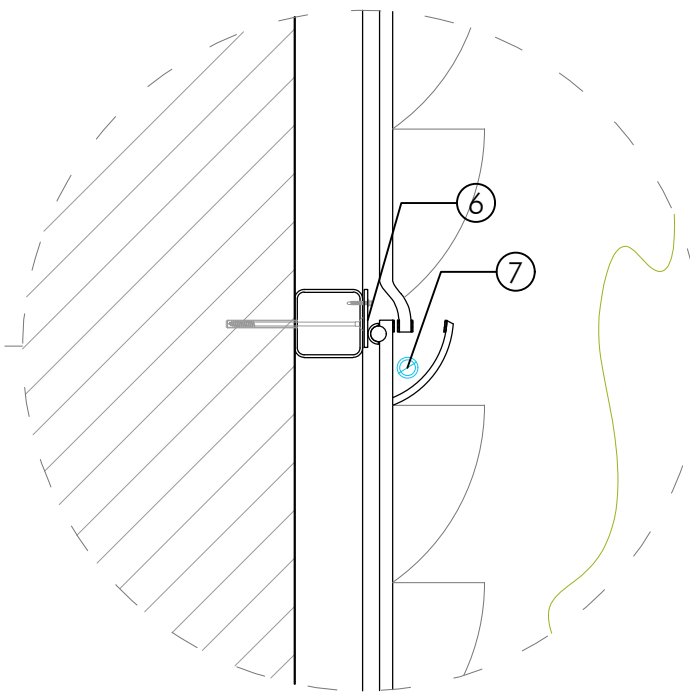
TYPICAL DETAILED SECTION



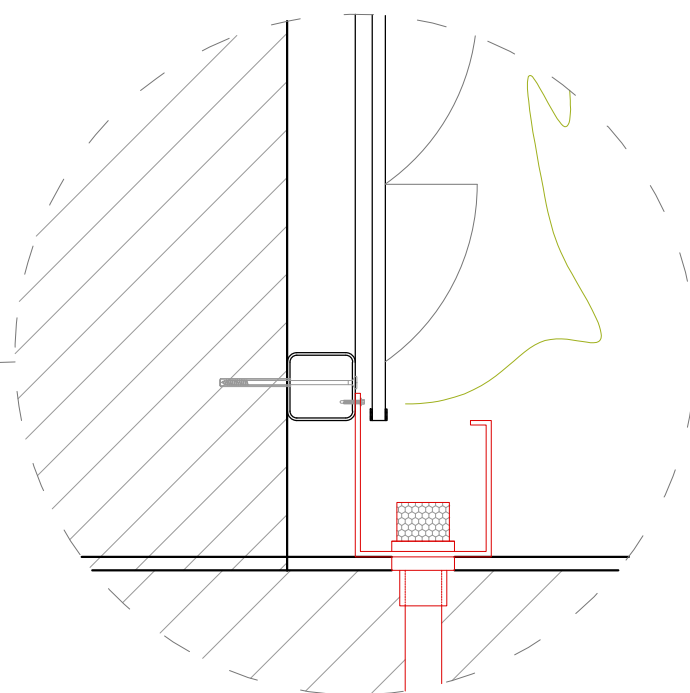
TOP DETAIL



CENTRE DETAIL



BOTTOM DETAIL



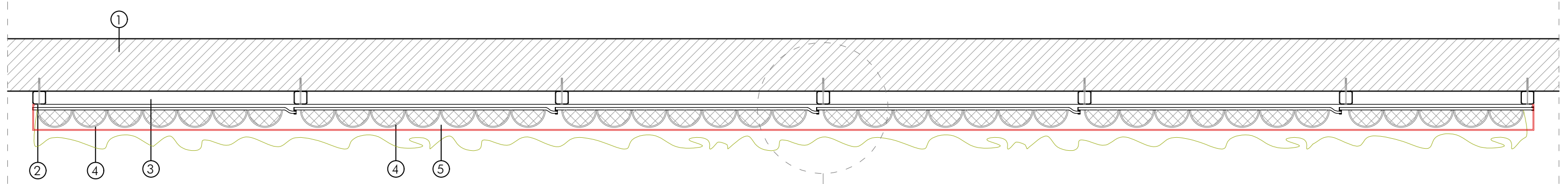
LEGEND

- ① CONCRETE WALL
- ② GALVANIZED STEEL VERTICAL PROFILE 50 x 50mm
- ③ GALVANIZED STEEL HORIZONTAL PROFILE 50 x 50mm
- ④ FYTOTEXTILE MODULE
- ⑤ GALVANIZED STEEL GUTTER
- ⑥ HORIZONTAL FIXING PROFILE
- ⑦ IRRIGATION PIPELINE

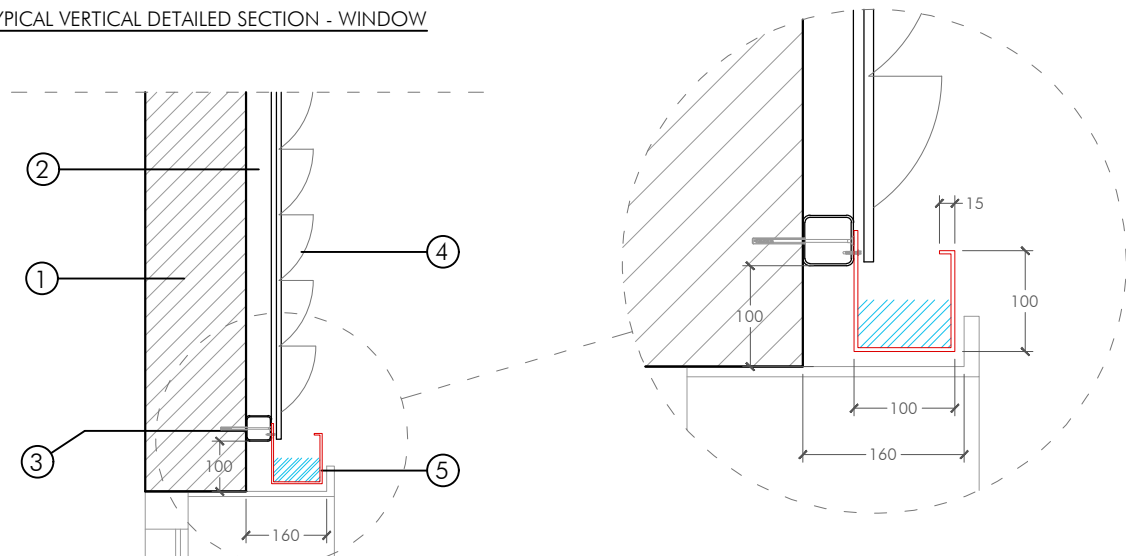


NAME		TYPICAL LIVING WALL - DETAILS 1	
NUMBER	03.01	VERSION	V1
		01-01-2023	
		S-A3 1:25	

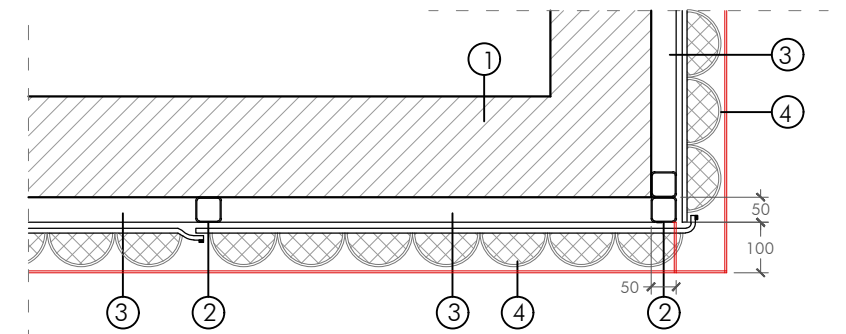
TYPICAL HORIZONTAL DETAILED SECTION



TYPICAL VERTICAL DETAILED SECTION - WINDOW



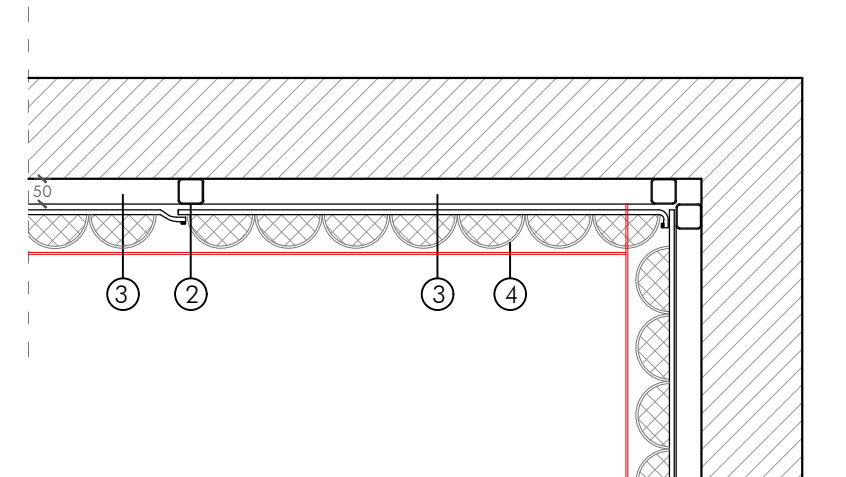
TYPICAL HORIZONTAL DETAILED SECTION - EXTERIOR CORNER



TYPICAL HORIZONTAL DETAILED SECTION - WINDOW



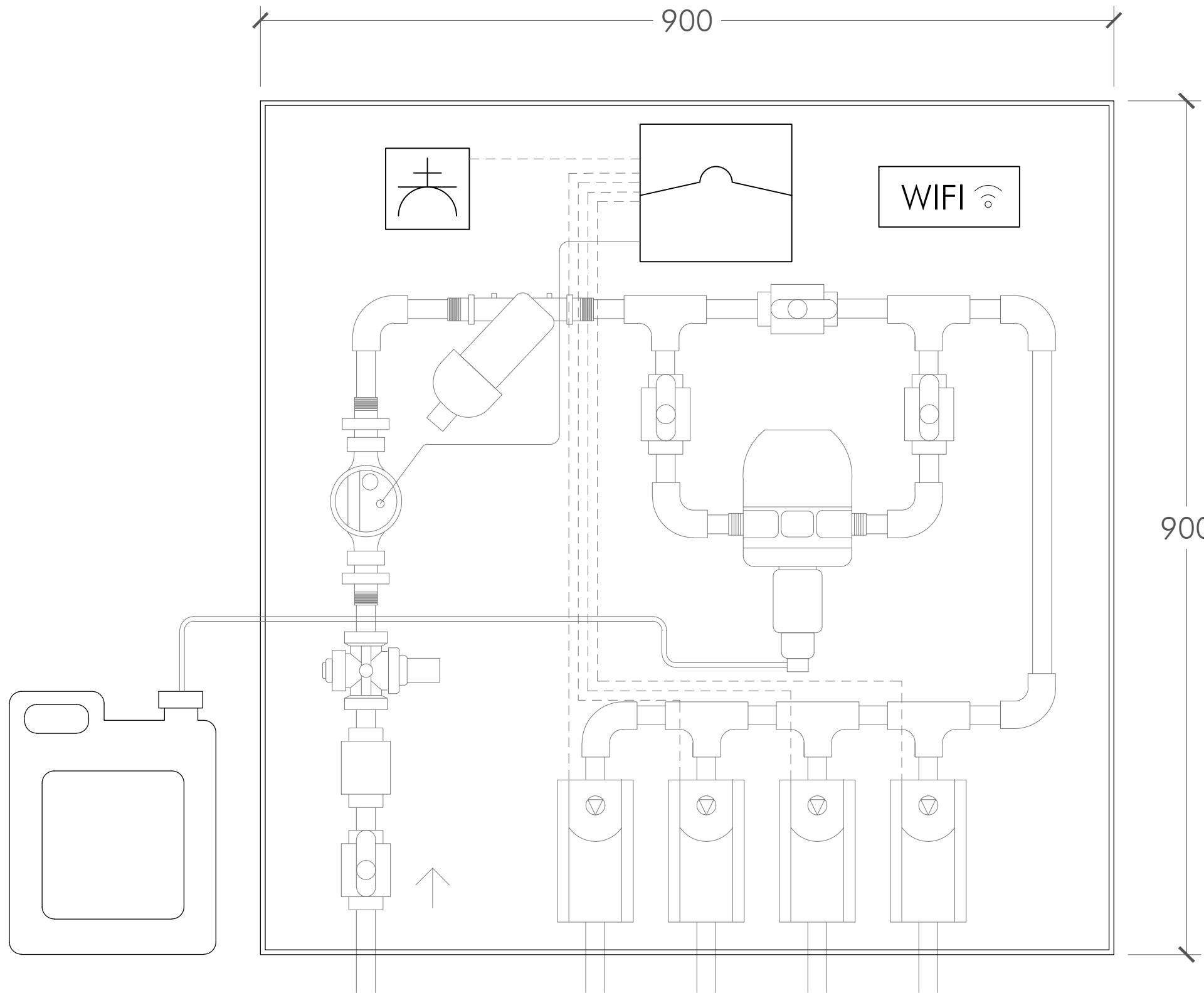
TYPICAL HORIZONTAL DETAILED SECTION - INTERIOR CORNER



LEGEND

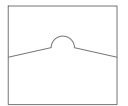
- ① CONCRETE WALL
- ② GALVANIZED STEEL VERTICAL PROFILE 50 x 50mm
- ③ GALVANIZED STEEL HORIZONTAL PROFILE 50 x 50mm
- ④ LIVING WALL SYSTEM FYTOTEXTILE MODULE
- ⑤ GALVANIZED STEEL GUTTER

TECHNICAL CABINET

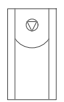


TECHNICAL CABINET ELEMENTS

REMOTE CONTROL SYSTEM



SOLENOID VALVE



MANUAL VALVE



BACKFLOW VALVE



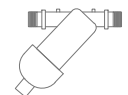
FLOWMETER WITH ACTIVE PULSE READING



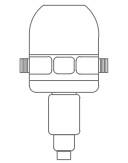
VARIABLE PRESSURE REDUCTION VALVE WITH MANOMETER ENTRY



DISCS FILTER



FERTIRRIGATION SYSTEM



FERTIRRIGATION TANK



TECHNICAL CABINET DIMENSIONS:

0,90 x 0,90 X 0,40 m
(WIDTHxHEIGHTxDEPTH)

REQUIREMENTS:

- WATER SUPPLY FOR 2-4 atm
- ELECTRICAL SUPPLY 230v 16A
- WI-FI CONNECTION